

Product Highlights

Wireless AC and Gigabit Ethernet

Get the most out of your Small Office / Home Office (SOHO) broadband connection by enabling bandwidth-intensive applications combined with advanced security features anywhere in your home

Dual-band Wi-Fi for Seamless Performance

Enjoy two concurrent wireless networks for higher bandwidth, improved range, as well as backward compatibility

Simple Setup

Set up the DIR-878 in no time with the web-based setup wizard, and create wireless connections easily using Wi-Fi Protected Setup (WPS)



DIR-878 AC1900 MU-MIMO Wi-Fi Gigabit Router

Features

High-Speed Connectivity

- 802.11ac wireless specification delivers enhanced wireless connectivity with increased range and reliability
- Concurrent dual-band wireless for connections up to 1900 Mbps¹
- 10/100/1000 Gigabit Ethernet WAN port for fast-paced Internet access
- Four 10/100/1000 Gigabit Ethernet LAN ports give you high-speed wired connectivity
- QoS engine to prioritize important traffic and deliver uninterrupted bandwidth

Setup and Management

- Intuitive setup wizard to guide you through the configuration process
- Web browser-based setup and configuration
- Firewall and access control options to prevent attacks and restrict access to your network

The DIR-878 AC1900 MU-MIMO Wi-Fi Gigabit Router is a powerful wireless networking solution designed for Small Office/Home Office (SOHO) environments. By combining high-speed 802.11ac Wi-Fi with dual-band technology and Gigabit Ethernet ports, the DIR-878 provides a seamless networking experience with a high degree of convenience and flexibility for SOHOs. The DIR-878's advanced security features help keep data safe from unwanted network intruders. These features together with the increased range and reliability of Wireless AC technology, help provide a protected network for devices in your home or office.

High-Speed Wired and Wireless Connectivity

The DIR-878 upgrades your network to the latest dual-band high-speed wireless technology to bring you enhanced Wi-Fi speeds of up to 1,900 Mbps¹ so you can meet the increasing bandwidth demands from both business, as well as multimedia applications. Wired performance remains critical in any SOHO environment, and the DIR-878 delivers with high-speed Gigabit Ethernet ports giving you solid, dependable performance for devices such as Network Attached Storage (NAS), media centers, and video conferencing equipment. Enjoy seamless high definition media streaming, Internet phone calls, online gaming, and content-rich web surfing throughout your home or office. The built-in Quality of Service (QoS) engine allows you to prioritize important traffic to ensure that your favourite applications are receiving optimal bandwidth.

Smooth Streaming with Wireless 802.11ac Wave II MU-MIMO

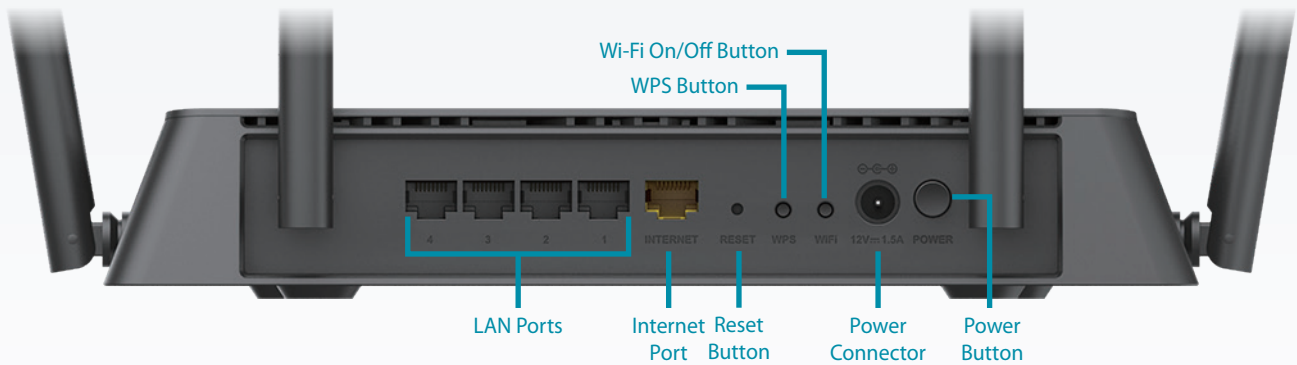
The DIR-878 brings a host of new technologies to create the best wireless networking experience to date. With 802.11ac Wave II MU-MIMO technology, the DIR-878 provides Gigabit wireless connectivity with combined transfer rates of up to 1,900 Mbps¹ (1300 Mbps Wireless AC + 600 Mbps Wireless N)². Featuring a 3x3 MU-MIMO antenna configuration, the DIR-878 offers better data rates, fewer dead-spots, more coverage, and increased reliability. Upgrade your home or office with the latest AC Wave II technology and take full advantage of this speed.

Easy to Set Up and Protect

Sharing your Internet connection doesn't have to be a complicated process; just open a web browser to access the setup wizard and follow the easy step-by-step instructions to get started. Configure, apply, and set up WPA/WPA2 wireless security in minutes with the wireless network setup wizard, or use Wi-Fi Protected Setup (WPS), which establishes an encrypted wireless connection to new devices without the need to enter settings or create passwords. In addition, the built-in firewall requires no setup, protecting you against malicious attacks from the Internet, and access control features allow you to restrict access to your network giving you greater control over network users.

Hassle-Free D-Link Smart Connect Technology

Ever since the introduction of 5 GHz wireless technology, users have had to blindly guess whether the 5 GHz or 2.4 GHz band would provide them with the best networking experience. D-Link's Smart Connect Technology eliminates this confusion by automatically distributing devices to the optimal network. Simply initiate a connection to the DIR-878 and its advanced algorithms will determine the best network for your device to connect to, thereby ensuring a faster, more reliable, and hassle-free experience for your friends, colleagues, and family.



Technical Specifications		
General		
Device Interfaces	<ul style="list-style-type: none"> • IEEE 802.11 ac/n/g/b/a wireless LAN • 10/100/1000 Gigabit Ethernet WAN port 	<ul style="list-style-type: none"> • Four 10/100/1000 Gigabit Ethernet LAN ports
LEDs	<ul style="list-style-type: none"> • Power • Internet 	<ul style="list-style-type: none"> • WLAN (2.4 GHz & 5 GHz)
Antenna Type	<ul style="list-style-type: none"> • Four external antennas 	
Data Signal Rate	<ul style="list-style-type: none"> • 2.4 GHz • Up to 600 Mbps¹ 	<ul style="list-style-type: none"> • 5 GHz • Up to 1,300 Mbps¹
Standards	<ul style="list-style-type: none"> • IEEE 802.11ac • IEEE 802.11n • IEEE 802.11g • IEEE 802.3ab 	<ul style="list-style-type: none"> • IEEE 802.11b • IEEE 802.11a • IEEE 802.11d • IEEE 802.3u
Minimum Requirements	<ul style="list-style-type: none"> • Windows 10/8.1/8/7/Vista/XP SP3 or MAC OS X 10.6 or higher • Internet Explorer 10, Firefox 28.0, Chrome 28.0, Safari 6.0, or other Java-enabled browser 	<ul style="list-style-type: none"> • Network Interface Card • Cable/DSL modem or other Internet Service Provider equipment with Ethernet port
Functionality		
Security	<ul style="list-style-type: none"> • WPA & WPA2 (Wi-Fi Protected Access) 	<ul style="list-style-type: none"> • WPS (Wi-Fi Protected Setup)
Advanced Features	<ul style="list-style-type: none"> • Web setup wizard • QoS (Quality of Service) • DMZ (De-militarized Zone) 	<ul style="list-style-type: none"> • Firewall - Network Address Translation (NAT) • Guest Zone • IPv6-Ready

Physical	
Dimensions	• 258.8 x 183.4 x 44.9 mm (10.2 x 7.2 x 1.8 inches)
Weight	• 565 grams (1.25 pounds)
Power Adaptor	• Input: 100 to 240 V AC, 50/60 Hz • Output: 12 V, 1.5 A
Temperature	• Operating: 0 to 40 °C (32 to 104 °F) • Storage: -20 to 65 °C (-4 to 149 °F)
Humidity	• Operating: 10% to 90% non-condensing • Storage: 5% to 95% non-condensing
Certifications	<ul style="list-style-type: none"> • FCC • CE² • C-Tick • S Mark (UL60950) • Wi-Fi Certified • WPS Setup • IPv6
Ordering Information	
<i>Part Number</i>	<i>Description</i>
DIR-878	AC1900 MU-MIMO Wi-Fi Gigabit Router

¹ Maximum wireless signal rate derived from IEEE Standard 802.11ac and 802.11n specifications. Actual data throughput will vary. Network conditions and environmental factors, including volume of network traffic, building materials and construction, and network overhead, may lower actual data throughput rate. Environmental factors will adversely affect wireless signal range.

² For the EU region, this product is compliant with CE regulations and operates within the following frequency ranges: 2.4 - 2.4835 GHz and 5.150 - 5.250 GHz.

Updated 09/20/2017